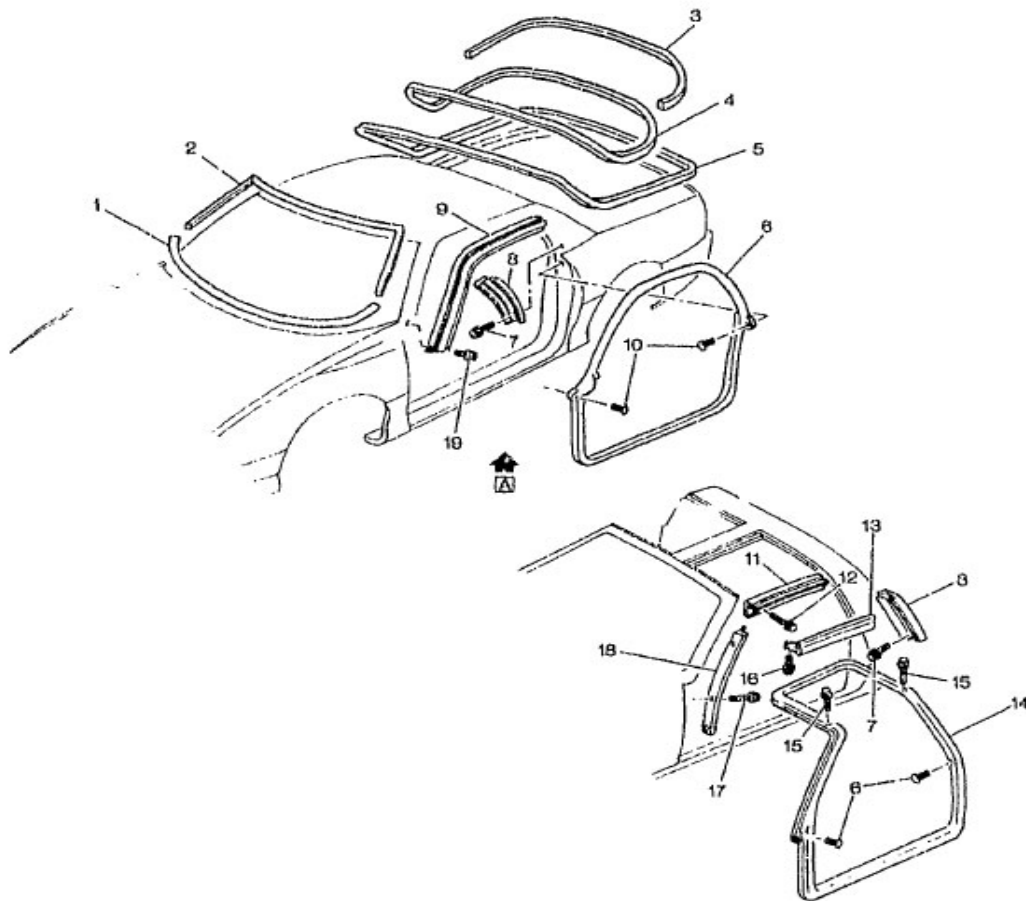


Weatherstrips



Non T-Top

5. Rear Hatch Weatherstrip

713088 1982-92 Repro

713091 1993-02 GM

6. For 1982-92 Hardtop Cars, #6 is Split between the Door Main (Lower), and the Roof Rail (Upper) at top of door.

Upper 713020 1982-92 R&L, Repro

Lower 713004 1982-92 R&L, Repro

For 1993-02 Hardtop Cars, #6 is one piece.

713007 1993-02 Right GM

713008 1993-02 Left GM

T-Top

13. T-top Outer Seal. This Seal is under the outboard edge of the top and seals the top to the window glass.

713066 1982-92 R&L Repro

713079 1993-02 Right GM

713080 1993-02 Left GM

14. For 1982-92 T-top Cars, #14 is Split between the Door Main (Lower), and the Roof Rail (Upper) at top of door.

Upper 713065 1982-92 R & L Repro

713027 1982-92 Left GM

713026 1982-92 Right GM

Lower 713004 1982-92 R&L Repro

713005 1982-92 Right GM

713006 1982-92 Left GM

For 1993-02 T-top Cars, #14 is one piece

713009 1993-02 Right GM

713010 1993-02 Left GM