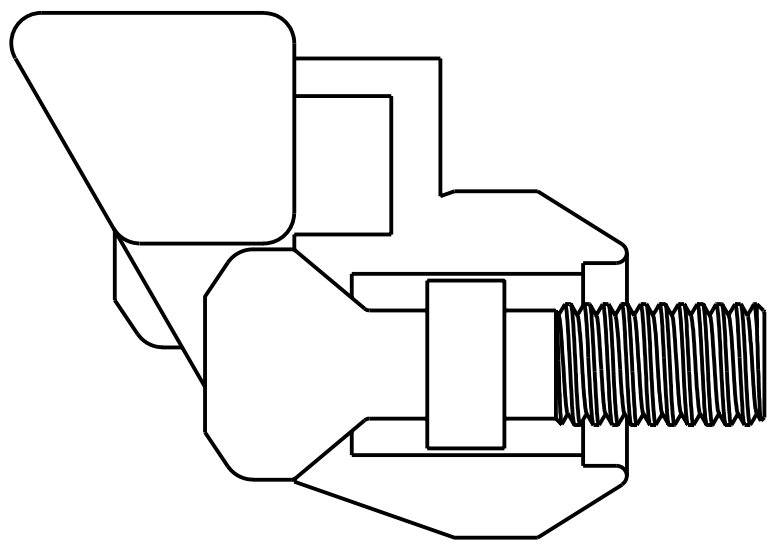
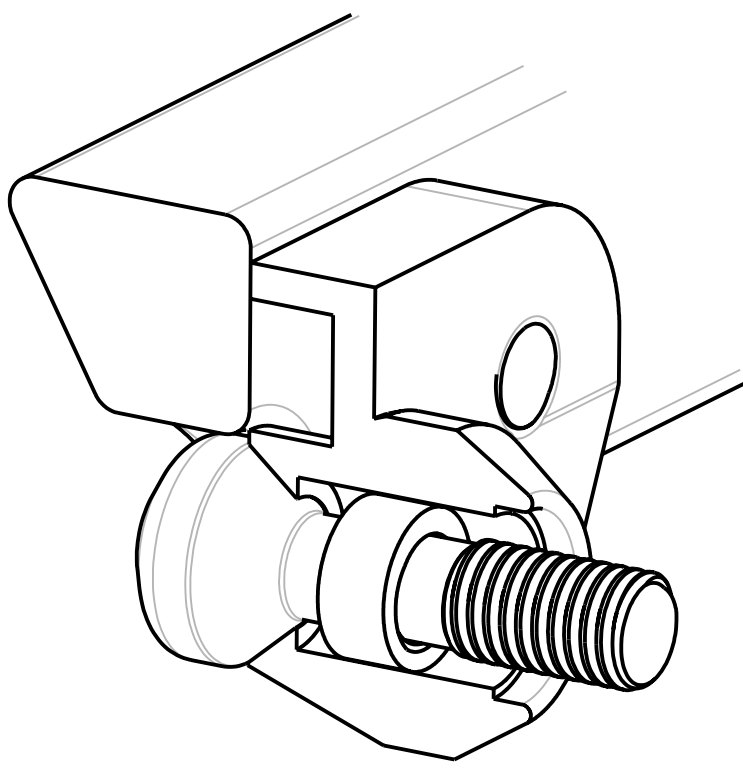
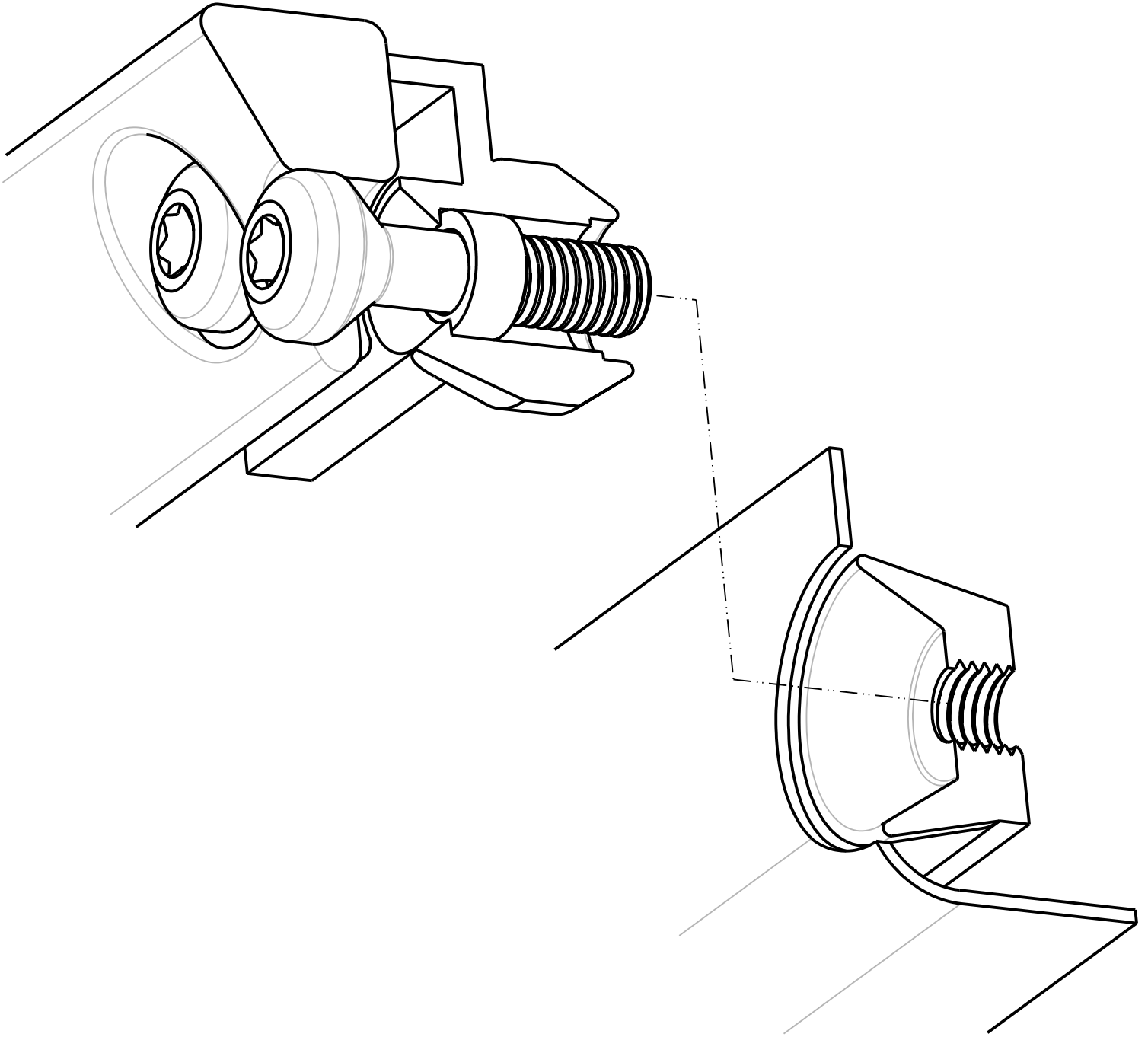


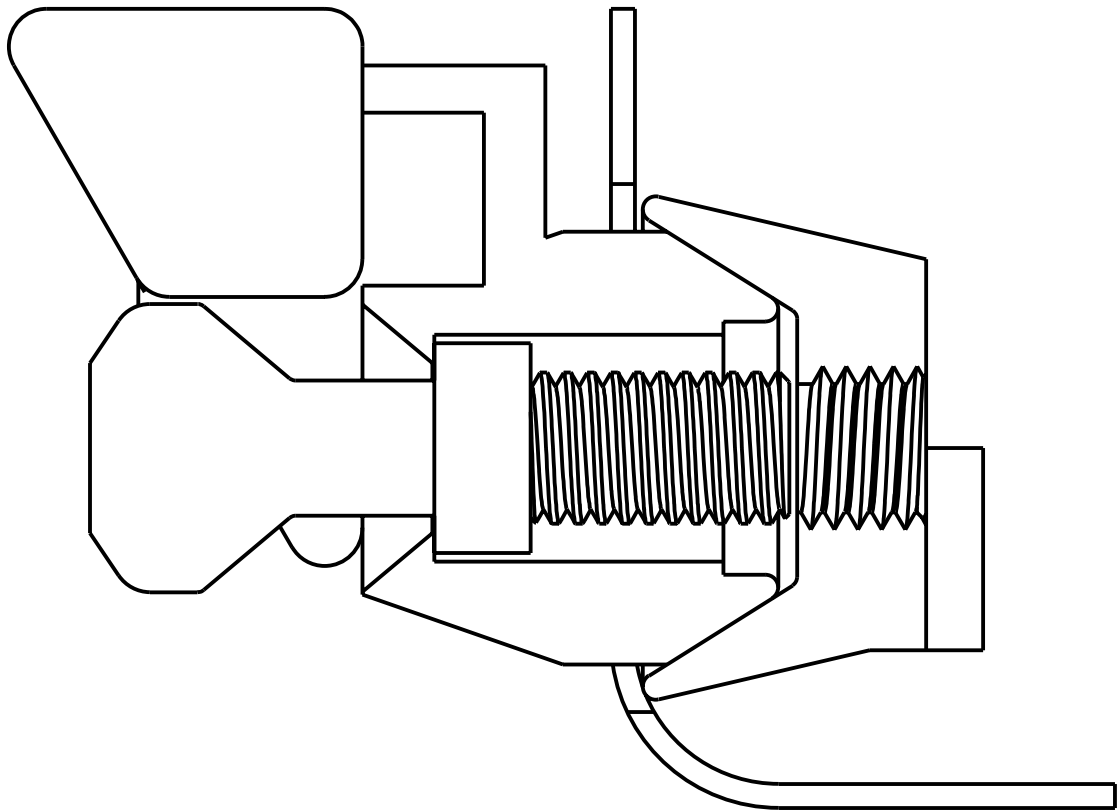
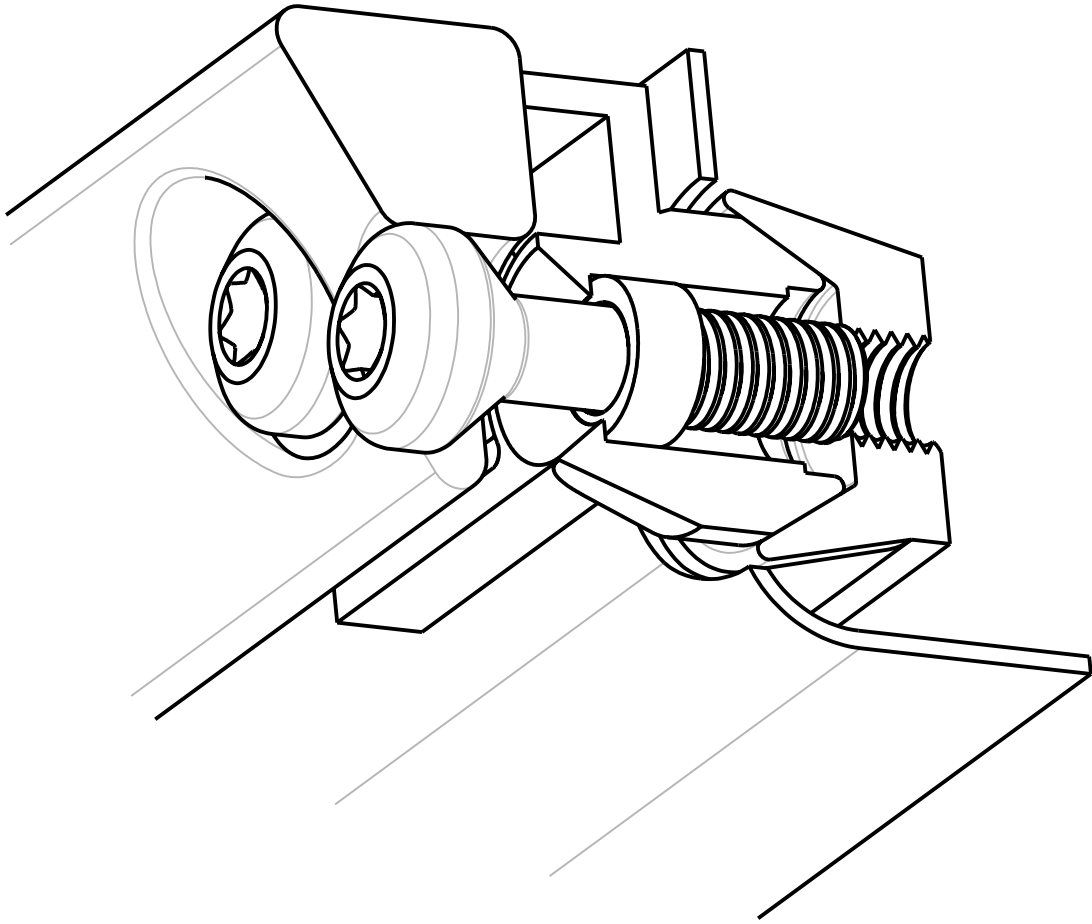
PART INSTALLATION



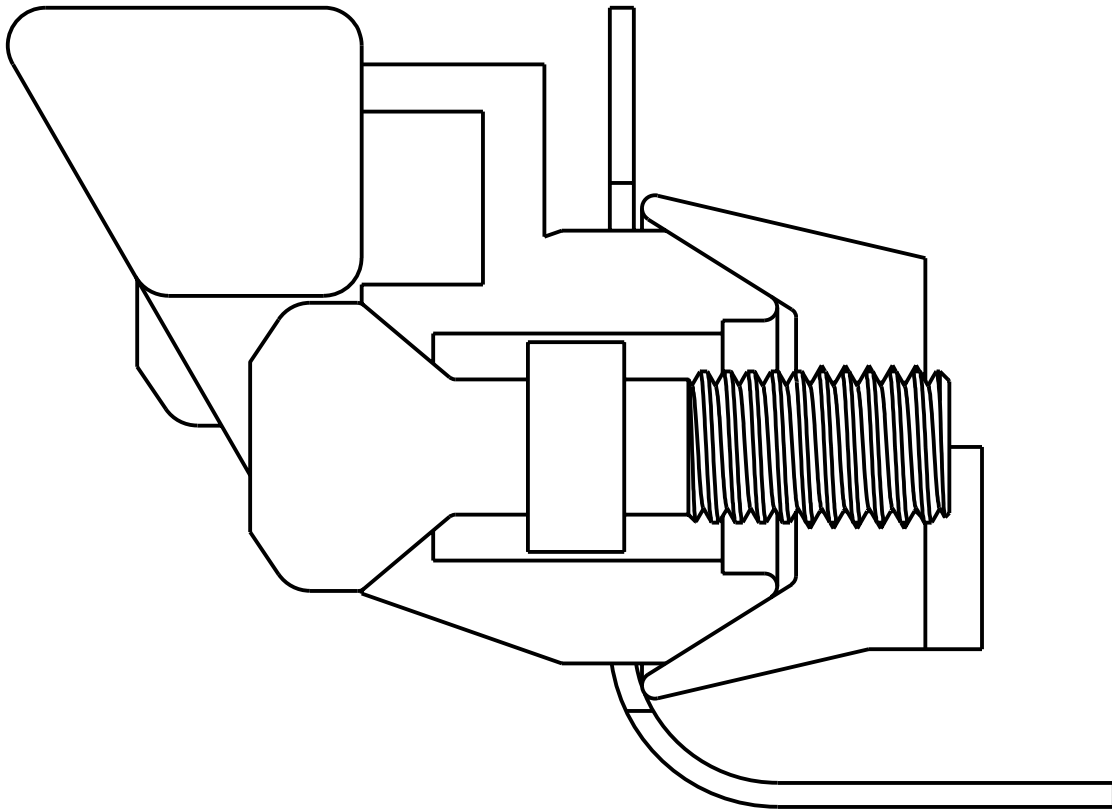
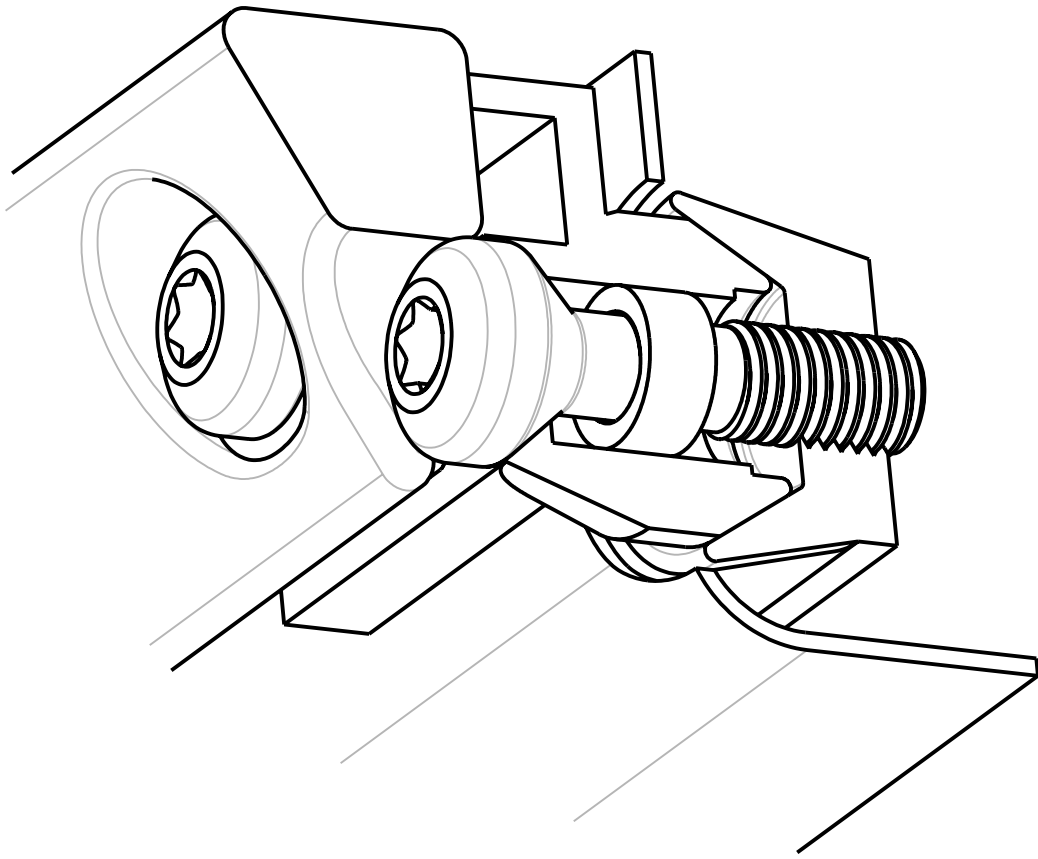
PART FULLY INSTALLED



ROOF INSTALLATION AND REMOVAL
WITH BOLT AND RETAINER INSTALLED



ROOF FULLY SEATED ON VEHICLE
BOLT RETAINED AT MAXIMUM REMOVAL LENGTH



ROOF FULLY SEATED
BOLT AT FULLY INSTALLED POSITION