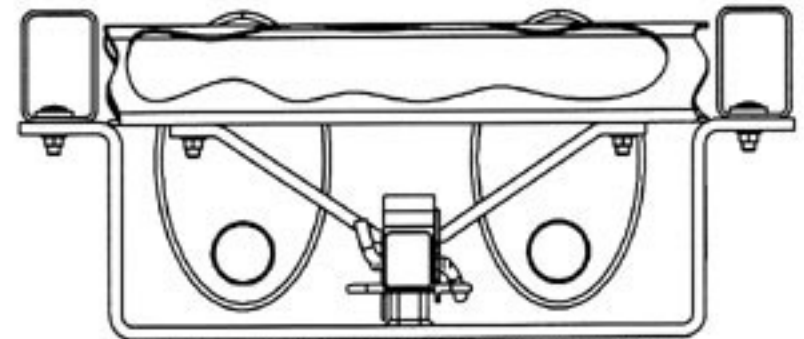
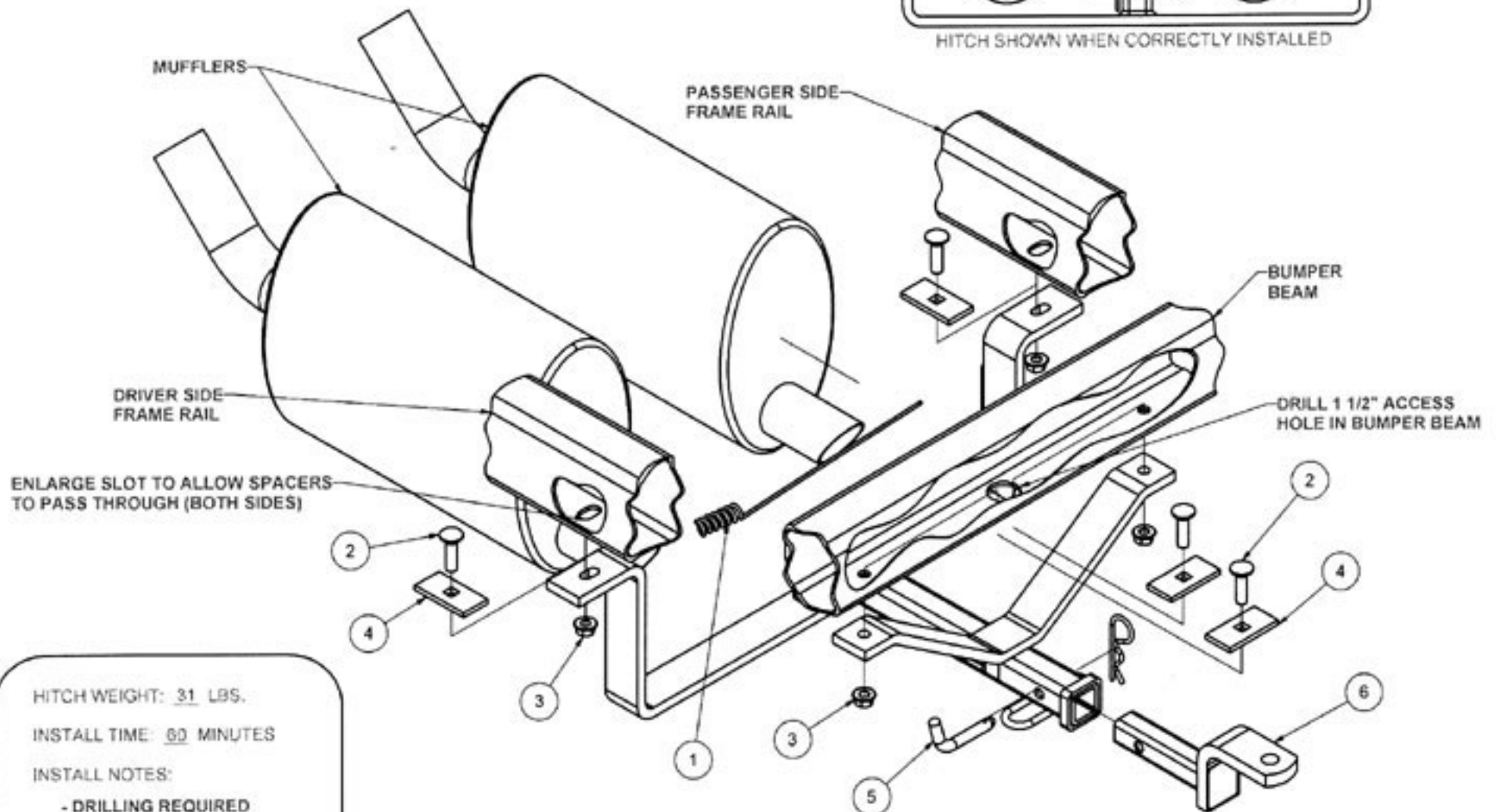


GROSS LOAD CAPACITY WHEN USED AS A WEIGHT CARRYING HITCH: 2,000 LBS. TRAILER WEIGHT & 200 LBS. TONGUE WEIGHT.
*****DO NOT EXCEED VEHICLE MANUFACTURER'S RECOMMENDED TOWING CAPACITY.*****

Parts List			
ITEM	QTY	PART NUMBER	DESCRIPTION
1	1	1/2"	FISHWIRE TOOL
2	4	1/2-13 x 1 3/4	CARRIAGE BOLT
3	4	1/2 - 13	HEX FLANGE NUT
4	4	CM-SP4	250 x 1.50 x 3.00" SQUARE HOLE SPACER
5	1	F-4	1/2" DIA. PIN & CLIP
6	1	D-55001	1 1/4" CURT BALL MOUNT



HITCH SHOWN WHEN CORRECTLY INSTALLED



HITCH WEIGHT: 31 LBS.

INSTALL TIME: 60 MINUTES

INSTALL NOTES:

- DRILLING REQUIRED
- LOWER EXHAUST

INSTALLATION STEPS

- 1) Enlarge existing slots in the frame to allow spacers to pass through.
- 2) Fishwire 1/2" carriage bolts and spacers through enlarged slots by pushing the bolt and spacer through the slot then pulling them back into position.
- 3) Drill a 1 1/2" access hole in the center of the bumper beam between the mufflers as shown.
- 4) Remove (4) bolts holding mufflers in place, let mufflers hang loose. (Re-install when finished with hitch)
- 5) Raise hitch into position by twisting sideways between exhaust tips and rotating to pass between mufflers. Secure with flange nuts, finger tighten.
- 6) Using the hitch as a template, drill (2) 17/32" holes in bumper beam.
- 7) Fishwire remaining fasteners through access hole and out 17/32" drilled holes.
- 8) Install remaining flange nuts, Torque all 1/2" fasteners to 75 lb-ft.

PERIODICALLY CHECK THIS RECEIVER HITCH TO INSURE THAT ALL FASTENERS ARE TIGHT AND THAT ALL STRUCTURAL COMPONENTS ARE SOUND.