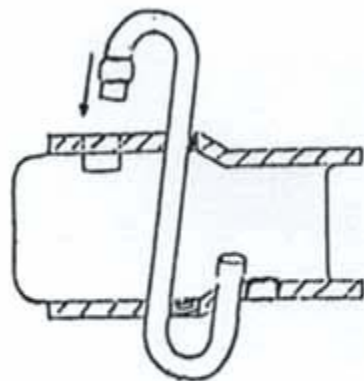


## DOOR SPRING INSTALLATION P/N A4301 1968-1982 CORVETTES

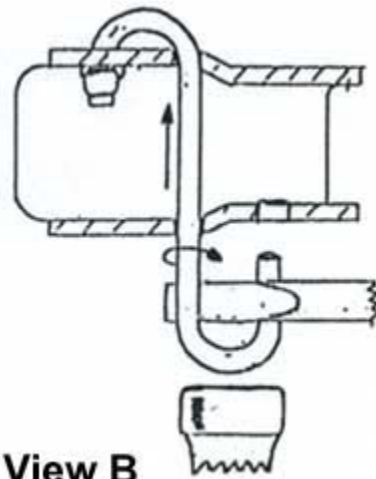
Door spring installation is a simple process. The illustration below shows the driver's side hinge, however, the installation is the same for the passenger side. The part of the spring with the flat side is always on top and faces the front of the car. NOTE: Wear safety glasses and gloves to prevent injury.

1. Place the spring as shown in View A and slide the end portion with the flat side into the hole on the top of the hinge as far downward as it will go
2. Move the vertical portion into the recesses as shown in View B. Using the spring installation tool A4300, twist the spring toward the body of the car and line up the lower end with the hole in the bottom of the hinge.
3. Using a hammer, tap the bottom of the spring upward until the bottom end enters the hole and the top end portion with the flat side snaps into place.

You're done!



**View A**



**View B**